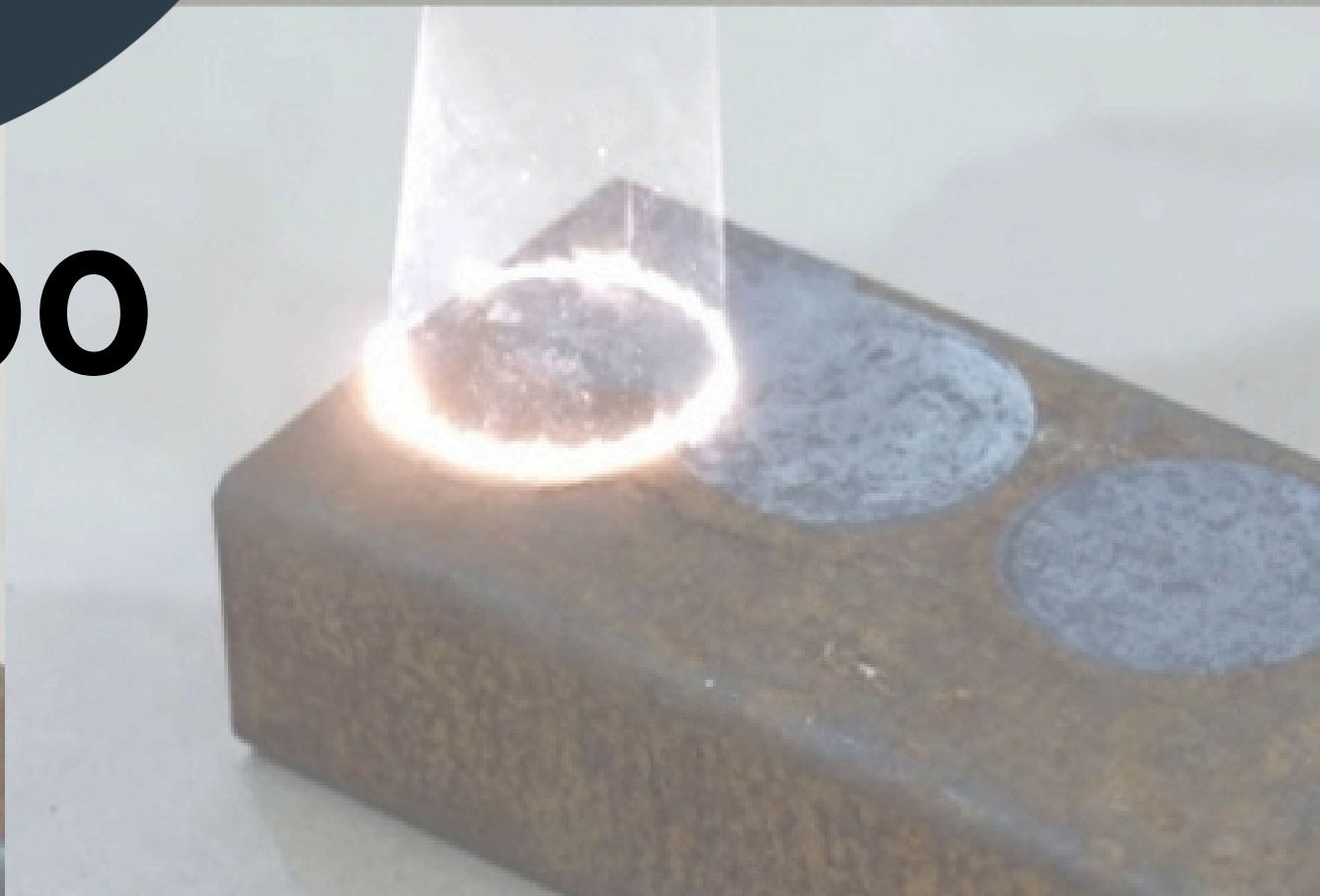
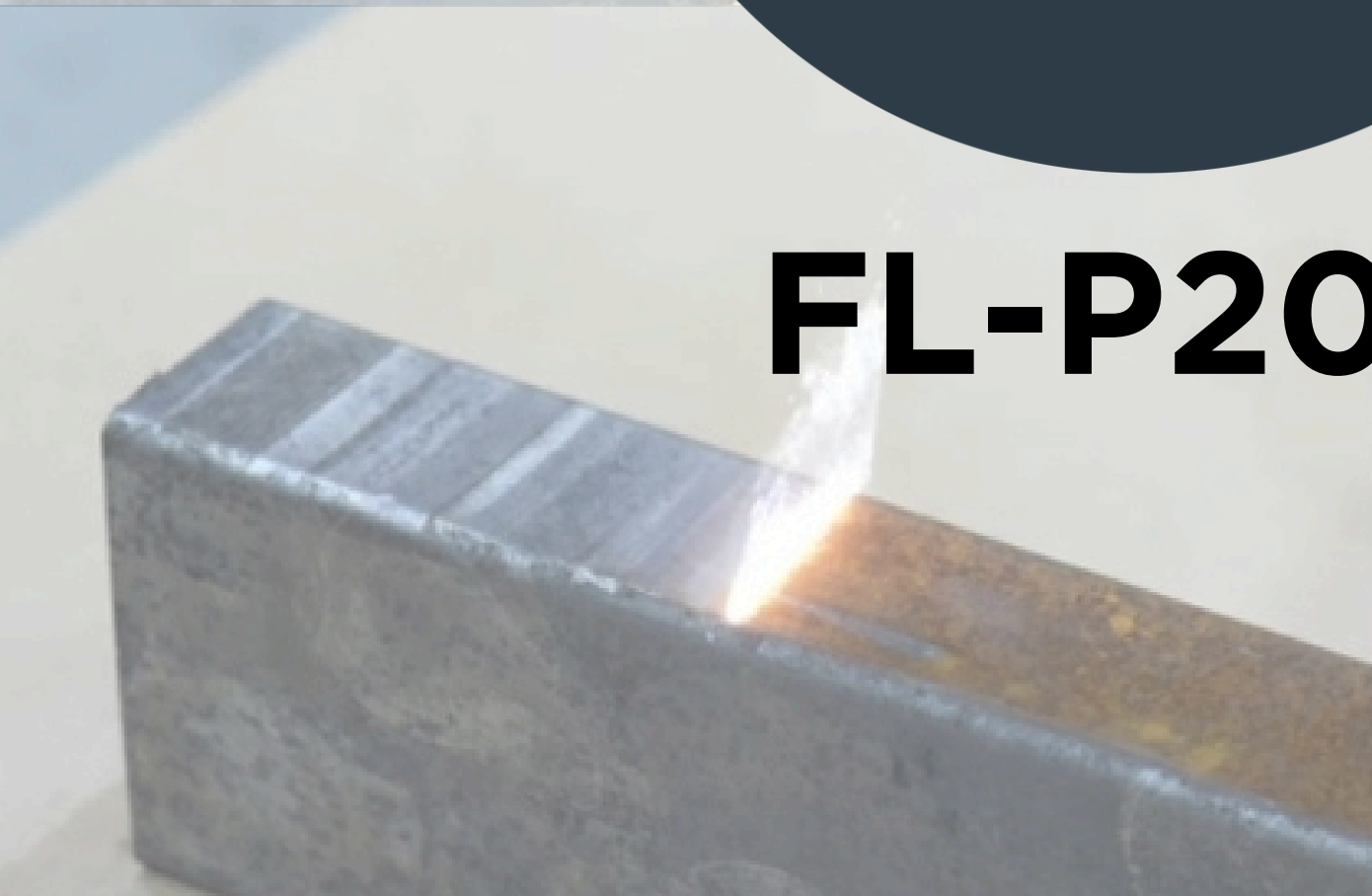


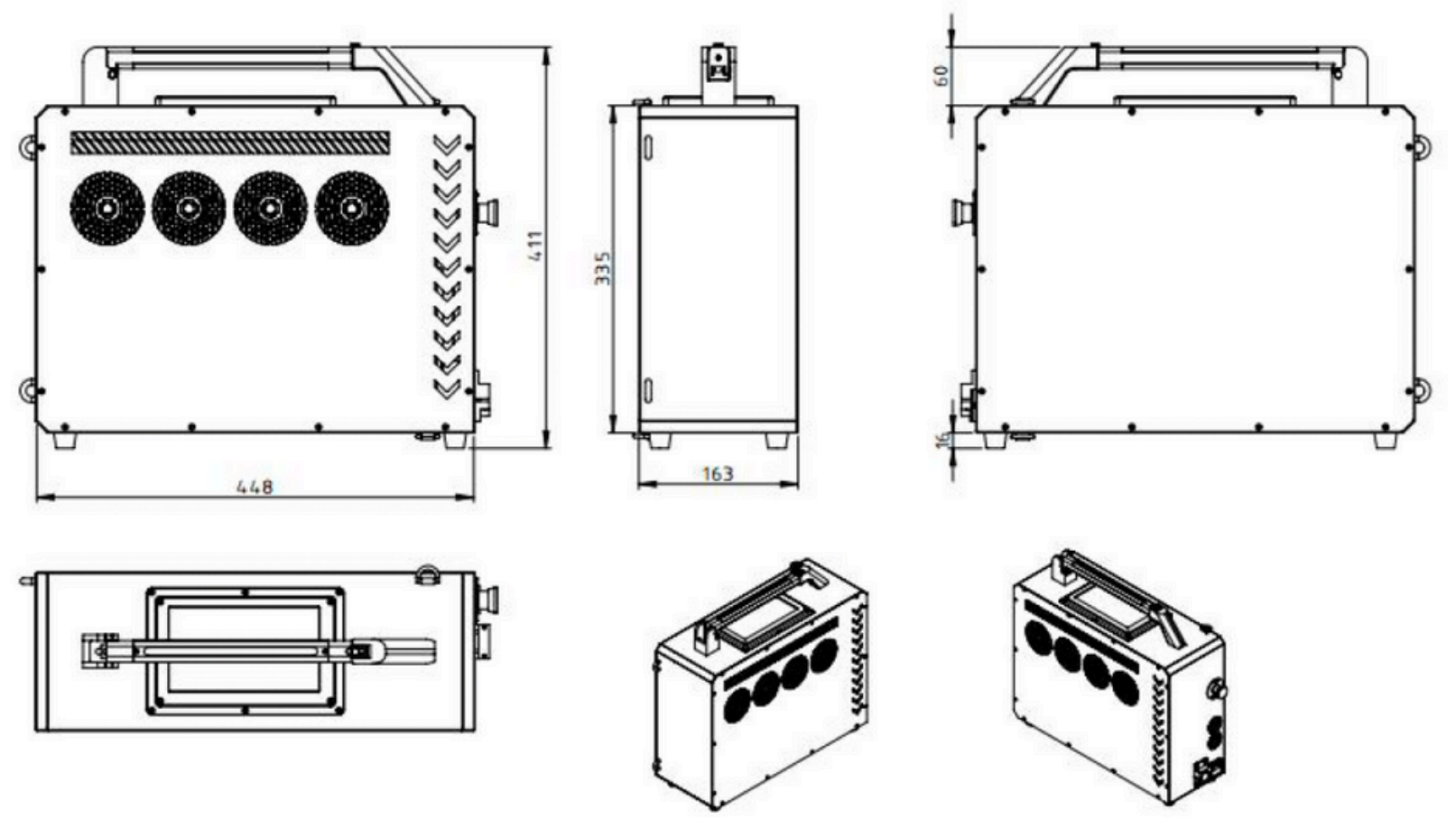


**FL-P200**





Parameter	Value
Laser wavelength (nm)	1060-1070
Pulse repetition rate (kHz)	20-200
Max. pulse energy (mJ)	1.5
Pulse duration (ns)	200±1@130kHz
Max. output power (W)	200±1
Power regulation range (%)	10-100
Output power instability (%)	≤5
Fiber length(m)	3
Fiber min-bending radius(mm)	300
Power consumption (W)	< 800
Laser safety class	4
Working Temperature (°C)	0- +40
Storage Temperature (°C)	-20 - +60
Relative humidity (°C)	≤70





**Jorge Guzmán**

**Ventas**

**999 270 9647**

**[ventas@ecolasermx.com](mailto:ventas@ecolasermx.com)**

